



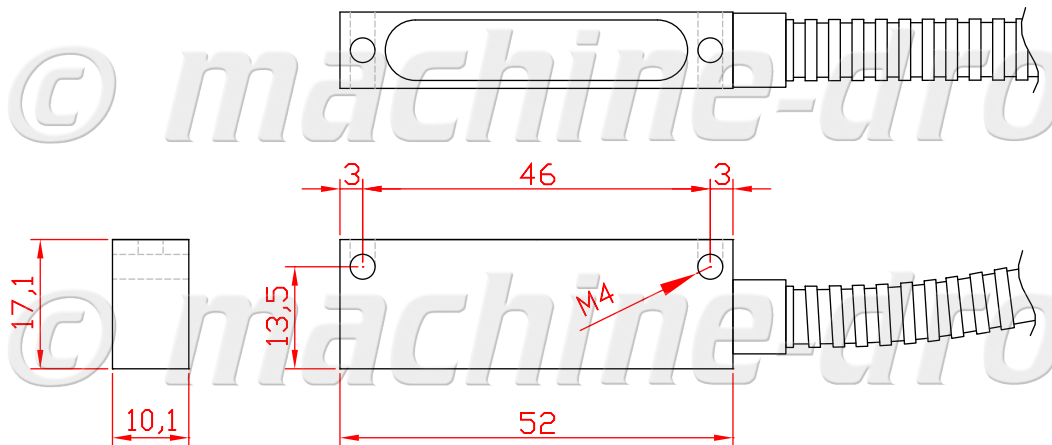
1 Micron Magnetic Tape Encoder Head

Part No: DRO-MG-EH-01
Doc V: 1.1



- 1 Micron Resolution Magnetic Encoder
- Compact Reading Head
- Non Contact System
- Robust Construction
- High Speed Operation
- Reference Signal
- 2 year Warranty.

Dimensions



Technical Specifications

Resolution	1 micron
Maximum reading speed	60 metres per minute
Head Dimensions	L52 x W10 x H17 mm
Gap between encoder & tape	0.1 ~ 1mm
Cable length	3 metres
Tape length requirement	60mm to allow for encoder over travel
Protection class	IP67
Output Signal	5 volt TTL Quadrature
Working temperature	0 ~ 85°C
Storage temperature	-20 ~ 85°C





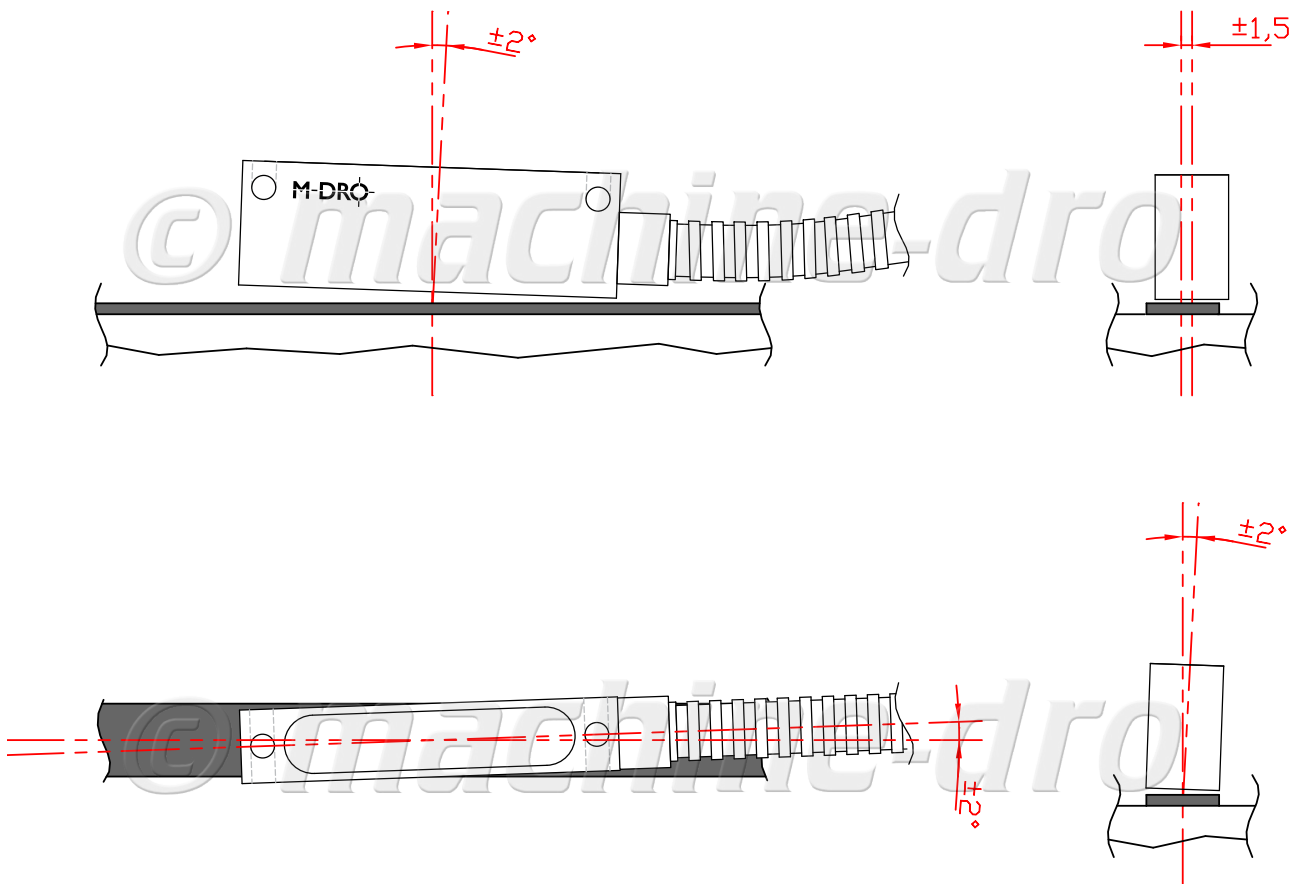
Mounting

Encoder Head gap tolerances;



Note: The encoder head gap tolerances must always be measured from the top surface of the tape.

Encoder Head alignment tolerances;

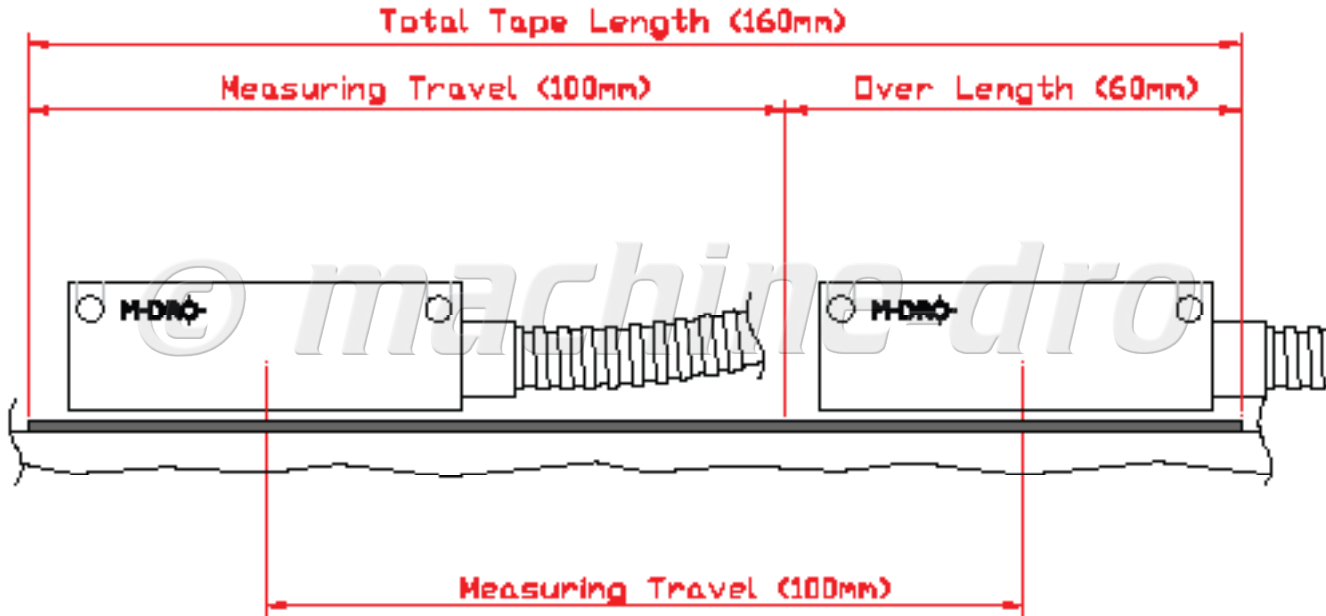




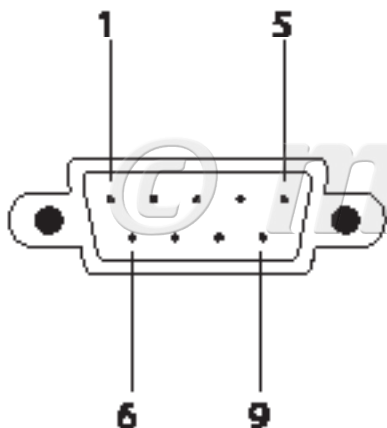
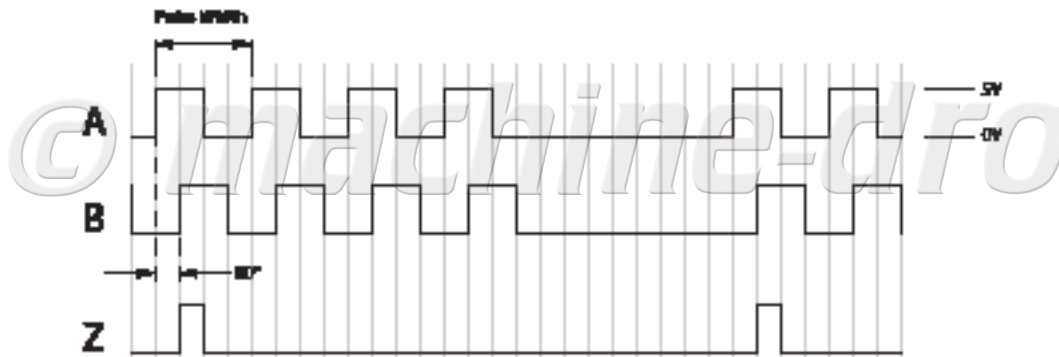
Tape Length Requirement

The length of tape is calculated by the required measuring travel + 60mm.

For example; A measuring travel of 100mm would require 160mm of magnetic tape.



Output Signal



Pin Number	Signal
Pin 1	N/C
Pin 2	0v
Pin 3	N/C
Pin 4	Cable Screen
Pin 5	N/C
Pin 6	A
Pin 7	+5v
Pin 8	B
Pin 9	Z

N/C ~ Not Connected

