

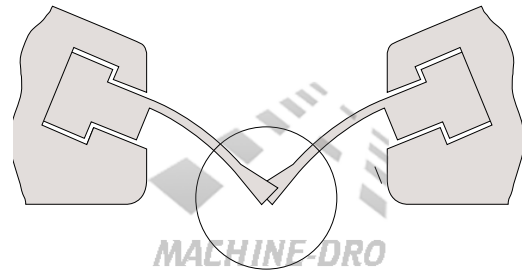


**AT116 Linear Encoder Technical**

Part No: DRO-MIT-AT116  
Doc V: 1.1

- The Mitutoyo AT116 slim profile 539 Series - Standard spar type.
- The innovative rubber lips keep out contaminants on a machine shop.
- An armoured signal cable is used to connect the scale unit to the DRO counter for safe operation in harsh shop environments.
- Dimensionally compatible with the earlier AT111 and AT115 scales.
- Large Scales are available to order.

M-DRO Authorised Distributor of:  
**Mitutoyo**



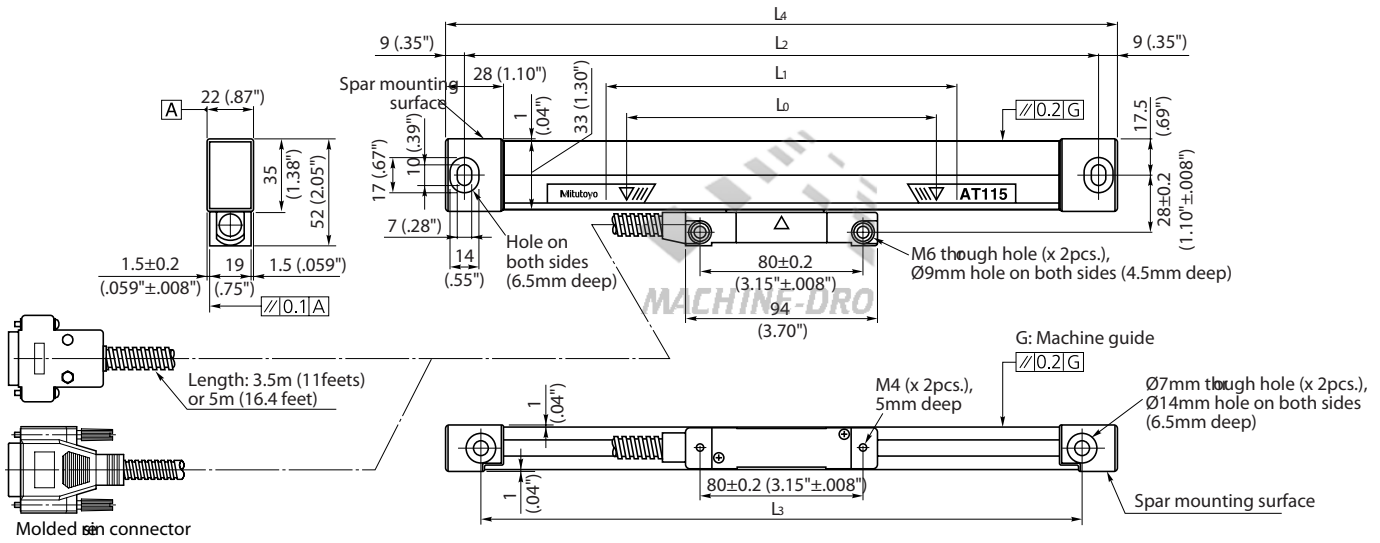
**Specifications**

Specifications	
Encoder type	Optical (Glass)
Resolution	Set by interpolation of the display console or interface
Accuracy (L <sub>0</sub> = Reading length)	(5+5L <sub>0</sub> /1000)
Grating Period	20µm
Maximum reading speed	72 metres per minute
Cable length	3 metres flexible armored
Scale length requirement	Reading length +176mm
Protection class	IP53 (when installed as per instructions)
Output Signal	2-phase sine curves with a phase difference of 90°
Reference mark	Every 50mm
Working temperature	0 ~ 45°C
Storage temperature	-20 ~ 70°C
Relative Humidity	20 - 80%RH





**Dimensions**



Part Number	Reading Length		Mounting Holes		Overall Length	
	mm	inch	mm	-	mm	inch
MIT-539-271-30	100	4	258	-	276	10.87
MIT-539-272-30	150	6	308	-	326	12.83
MIT-539-273-30	200	8	358	-	376	14.80
MIT-539-274-30	250	10	408	-	426	16.77
MIT-539-275-30	300	12	468	-	486	19.13
MIT-539-276-30	350	14	518	-	536	21.10
MIT-539-277-30	400	16	568	-	586	23.07
MIT-539-278-30	450	18	618	-	636	25.04
MIT-539-279-30	500	20	678	-	696	27.40
MIT-539-281-30	600	24	778	-	796	31.34
MIT-539-283-30	700	28	878	-	896	35.28
MIT-539-284-30	750	30	918	-	936	36.85
MIT-539-285-30	800	32	978	-	996	39.21
MIT-539-286-30	900	36	1078	-	1096	43.15
MIT-539-287-30	1000	40	1178	-	1196	47.09
MIT-539-288-30	1100	44	1278	-	1296	51.02
MIT-539-289-30	1200	48	1378	-	1396	54.96
MIT-539-290-30	1300	52	1478	-	1496	58.90
MIT-539-291-30	1400	56	1578	-	1596	62.83
MIT-539-292-30	1500	60	1678	-	1696	66.77

**Mitutoyo AT116 Linear Encoder Scales**

machine-dro.co.uk  
+44 (0)1992 450780

