



SENC 50 Linear Encoder Technical

Part No: DRO-AC-SENC-50
Doc V: 1.1

M-DRO Authorised Distributor of:

ACU-RITE

- The Acu-rite SENC 50 high precision optical encoder can be used in many different types of applications.
- Compact design make it particularly suitable if the installation space is limited or restricted, such as on the cross-slide of a lathe.
- 50 to 525mm reading lengths available.
- Distance-coded reference marks.
- Optional mounting spar available.
- Available in 5µm and 1µm resolutions.
- 3-Year Hassle-Free Warranty. (Terms and conditions apply)

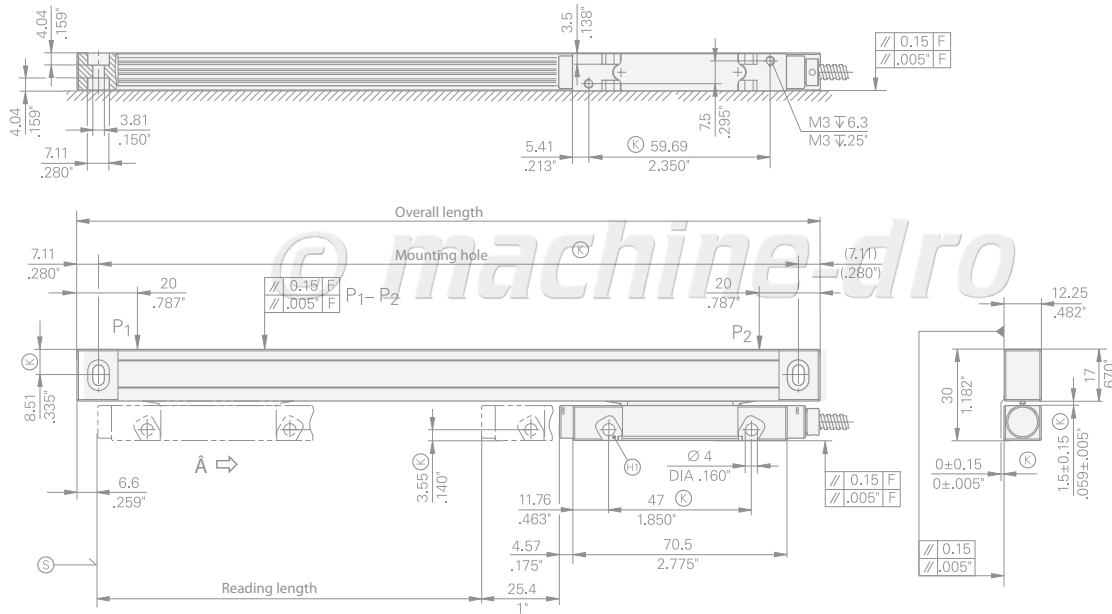


Technical Specifications

Specifications	
Encoder type	Optical (Glass)
Resolution	5 micron (other resolutions also available, please contact us for details)
Accuracy (@20°C)	±0.003mm
Grating Period	20µm
Maximum reading speed	60 metres per minute
Cable length	3 metres flexible armored
Protection class	IP53 (IP64 with air supply)
Output Signal	5 volt TTL Quadrature
Reference mark	Distance code (compatible console required)
Working temperature	0 ~ 50°C
Storage temperature	-20 ~ 70°C
Relative Humidity	20% to 95% Non-condensing



Dimensions

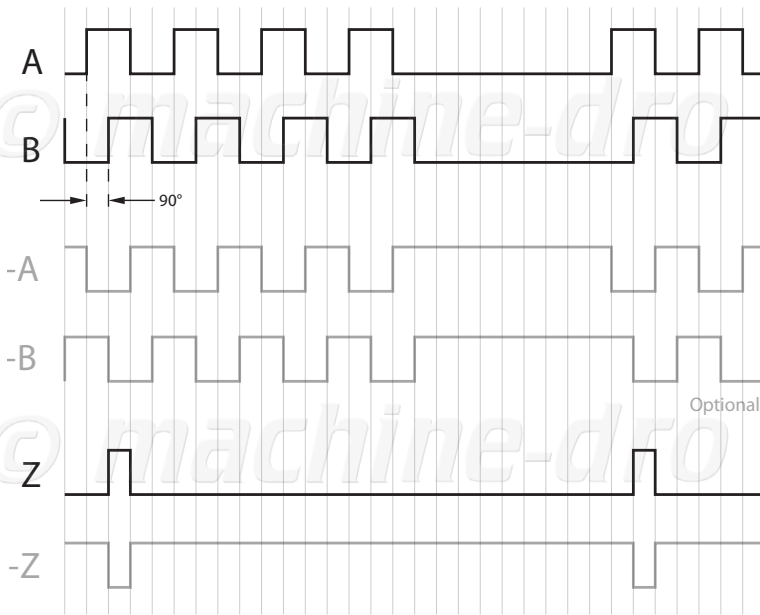


Model Number	Reading Length		Mounting Holes		Overall Length	
	mm	inch	mm	inch	mm	inch
DRO-AC-SENC-50-50	50	2		-		
DRO-AC-SENC-50-75	75	3		-		
DRO-AC-SENC-50-100	100	4		-		
DRO-AC-SENC-50-125	125	5		-		
DRO-AC-SENC-50-150	150	6		-		
DRO-AC-SENC-50-175	175	7		-		
DRO-AC-SENC-50-200	200	8		-		
DRO-AC-SENC-50-225	225	9		-		
DRO-AC-SENC-50-250	250	10		-		
DRO-AC-SENC-50-275	275	11		-		
DRO-AC-SENC-50-300	300	12		-		
DRO-AC-SENC-50-325	325	13		-		
DRO-AC-SENC-50-350	350	14		-		
DRO-AC-SENC-50-375	375	15		-		
DRO-AC-SENC-50-425	425	17		-		
DRO-AC-SENC-50-475	475	19		-		
DRO-AC-SENC-50-525	525	21		-		





Connection and Input Signal



- Fitted with 9 pin male D type connector for encoder input.
- For encoder compatibility please check compatibility chart datasheet.

	Pin 1	Pin 2	Pin 3	Pin 4	Pin 5	Pin 6	Pin 7	Pin 8	Pin 9
Signal	N/C	A	-A	B	-B	0V	-A	Z	-Z

