



GS600 Linear Scale Technical

- GS600 Long Length scale for machines with travel over 1 metre.
- 1.1 to 3 metre reading lengths available.
- Heavy duty profile with additional support brackets.
- Accuracy test report included.
- Mounting bolt kit included.
- Cover included.



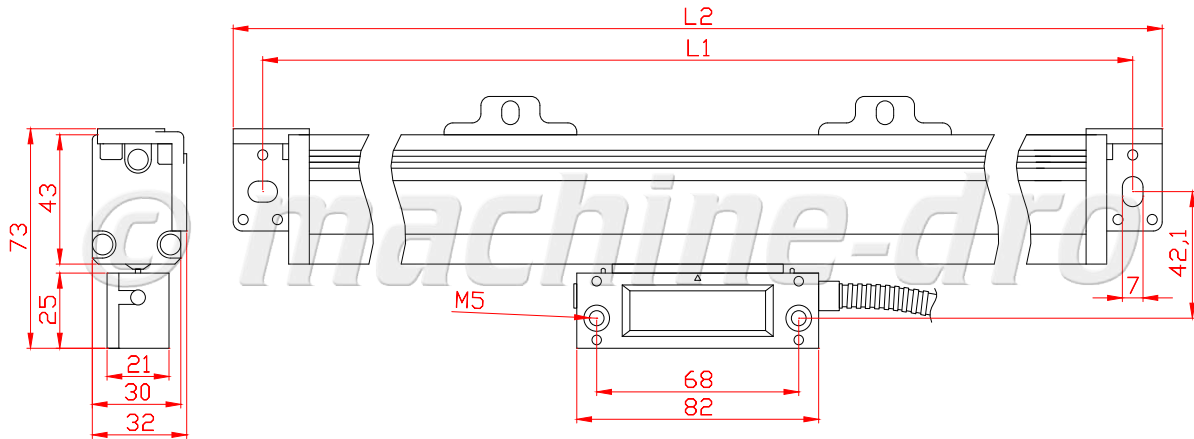
Technical Specifications

Specifications							
Encoder type	Optical (Glass)						
Resolution	5 micron (other resolutions also available, please contact us for details)						
Accuracy (@20°C)	<table border="0"> <tr> <td>1020~1500mm</td> <td>±0.025mm</td> </tr> <tr> <td>1501~2000mm</td> <td>±0.050mm</td> </tr> <tr> <td>2001~3000mm</td> <td>±0.080mm</td> </tr> </table>	1020~1500mm	±0.025mm	1501~2000mm	±0.050mm	2001~3000mm	±0.080mm
1020~1500mm	±0.025mm						
1501~2000mm	±0.050mm						
2001~3000mm	±0.080mm						
Grating Period	20µm						
Maximum reading speed	60 metres per minute						
Cable length	3 metres flexible armored						
Scale length requirement	Reading length +106mm						
Protection class	IP53 (when installed as per instructions)						
Output Signal	5 volt TTL Quadrature						
Reference mark	Every 50mm						
Working temperature	0 ~ 50°C						
Storage temperature	-20 ~ 70°C						
Relative Humidity	20% to 85% Non-condensing						





Dimensions



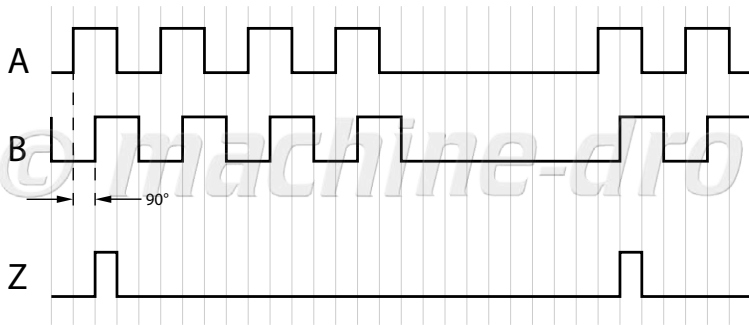
GS600 Scale Lengths

Model Number	Reading Length		Mounting Holes		Overall Length	
	mm	inch	mm	inch	mm	inch
GS600-1100	1100	43 5/16	1250	-	1270	50
GS600-1200	1200	47 1/4	1350	-	1370	53 15/16
GS600-1300	1300	51 3/16	1450	-	1470	57 7/8
GS600-1400	1400	55 1/8	1550	-	1570	61 13/16
GS600-1500	1500	59 1/16	1650	-	1670	65 6/8
GS600-1600	1600	63	1750	-	1770	69 11/16
GS600-1700	1700	66 15/16	1850	-	1870	73 5/8
GS600-1800	1800	70 7/8	1950	-	1970	77 9/16
GS600-1900	1900	74 13/16	2050	-	2070	81 1/2
GS600-2000	2000	76 6/8	2150	-	2170	85 7/16





Output Signal



- Fitted with 9 pin male D type connector for encoder input.
- For encoder compatibly please check compatibility chart datasheet.

	Pin 1	Pin 2	Pin 3	Pin 4	Pin 5	Pin 6	Pin 7	Pin 8	Pin 9
Signal	N/C	0v	N/C	Screen	N/C	A	+5v	B	Z

01992 450780



machine-dro.co.uk

