



SENC 150 Linear Encoder Technical

Part No: DRO-AC-SENC-150
Doc V: 1.1

M-DRO Authorised Distributor of:

ACU-RITE

- The Acu-rite SENC 150 optical encoder can be used in many different types of applications and situations without compromising quality.
- High accuracy and small dimensions are ideal for use in machine tools and metrology applications.
- 75 to 3075mm reading lengths available.
- Distance-coded reference marks.
- Optional mounting spar available.
- Available in 5µm, 1µm and 0.5µm resolutions.
- 3-Year Hassle-Free Warranty. (Terms and conditions apply)

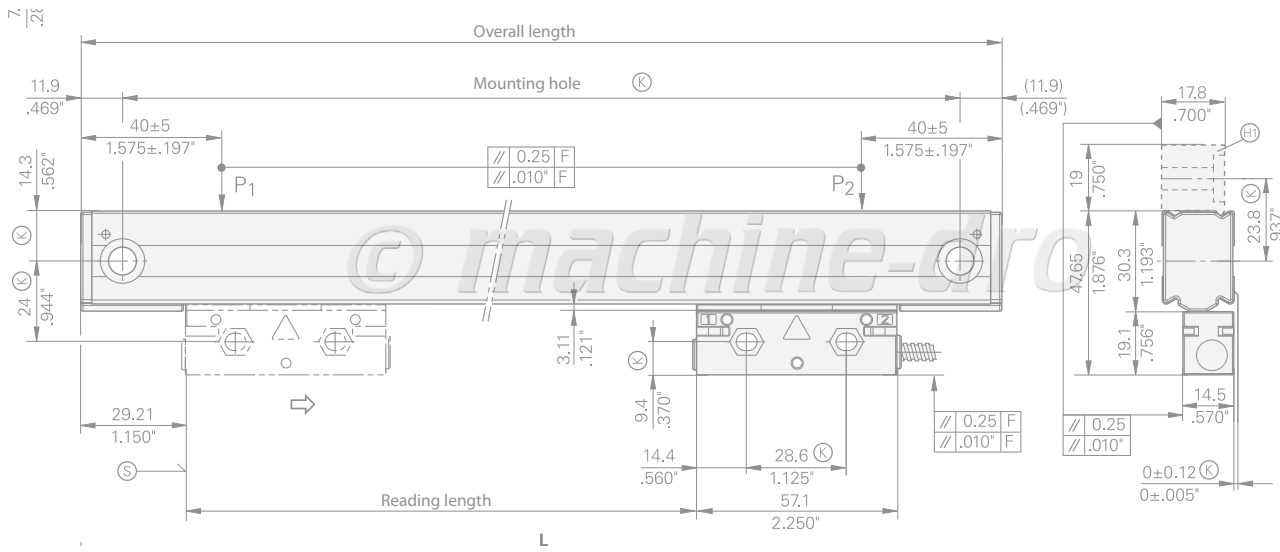


Technical Specifications

Specifications	
Encoder type	Optical (Glass)
Resolution	5 micron (other resolutions also available, please contact us for details)
Accuracy (@20°C)	±0.005mm
Grating Period	20µm
Maximum reading speed	60 metres per minute
Cable length	3 metres flexible armored
Protection class	IP53 (when installed as per instructions) IP64 with compressed air inlet
Output Signal	5 volt TTL Quadrature
Reference mark	Distance code (compatible console required)
Working temperature	0 ~ 50°C
Storage temperature	-20 ~ 70°C
Relative Humidity	20% to 95% Non-condensing



Dimensions



Model Number	Reading Length		Mounting Holes		Overall Length	
	mm	inch	mm	inch	mm	inch
DRO-AC-SENC-150-75	75	3	-	-		
DRO-AC-SENC-150-100	100	4	-	-		
DRO-AC-SENC-150-125	125	5	-	-		
DRO-AC-SENC-150-150	150	6	-	-		
DRO-AC-SENC-150-175	175	7	-	-		
DRO-AC-SENC-150-225	225	9	-	-		
DRO-AC-SENC-150-275	275	11	-	-		
DRO-AC-SENC-150-300	300	12	-	-		
DRO-AC-SENC-150-325	325	13	-	-		
DRO-AC-SENC-150-350	350	14	-	-		
DRO-AC-SENC-150-375	375	15	-	-		
DRO-AC-SENC-150-400	400	16	-	-		
DRO-AC-SENC-150-425	425	17	-	-		
DRO-AC-SENC-150-475	475	19	-	-		
DRO-AC-SENC-150-525	525	21	-	-		
DRO-AC-SENC-150-625	625	25	-	-		
DRO-AC-SENC-150-675	675	27	-	-		
DRO-AC-SENC-150-725	725	29	-	-		
DRO-AC-SENC-150-775	775	31	-	-		
DRO-AC-SENC-150-825	825	33	-	-		
DRO-AC-SENC-150-875	875	34	-	-		
DRO-AC-SENC-150-925	925	36	-	-		
DRO-AC-SENC-150-950	950	37	-	-		
DRO-AC-SENC-150-1000	1000	39	-	-		
DRO-AC-SENC-150-1050	1050	41	-	-		
DRO-AC-SENC-150-1100	1100	43	-	-		
DRO-AC-SENC-150-1250	1250	49	-	-		
DRO-AC-SENC-150-1350	1350	53	-	-		
DRO-AC-SENC-150-1400	1400	55	-	-		
DRO-AC-SENC-150-1550	1550	61	-	-		

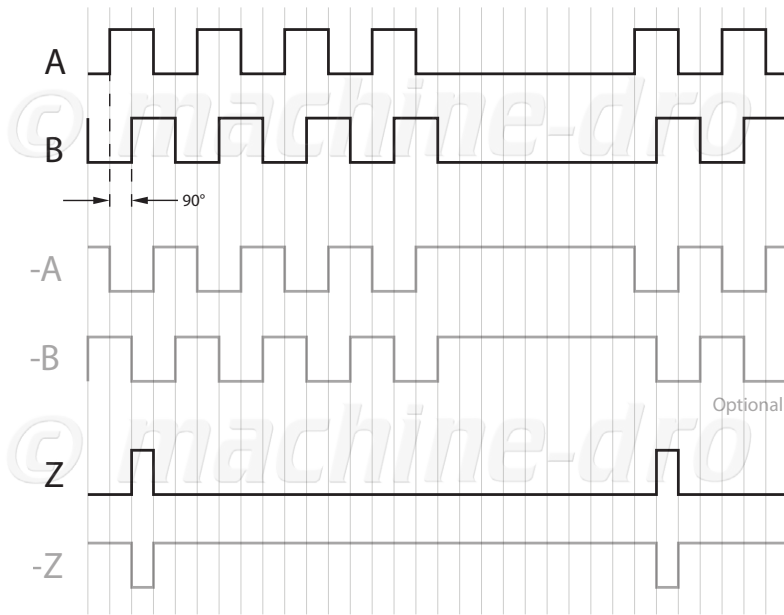
Acu-rite SENC 150 Linear Encoder Scales

machine-dro.co.uk
+44 (0)1992 450780





Connection and Input Signal



- Fitted with 9 pin male D type connector for encoder input.
- For encoder compatibility please check compatibility chart datasheet.

	Pin 1	Pin 2	Pin 3	Pin 4	Pin 5	Pin 6	Pin 7	Pin 8	Pin 9
Signal	N/C	A	-A	B	-B	0V	-A	Z	-Z

