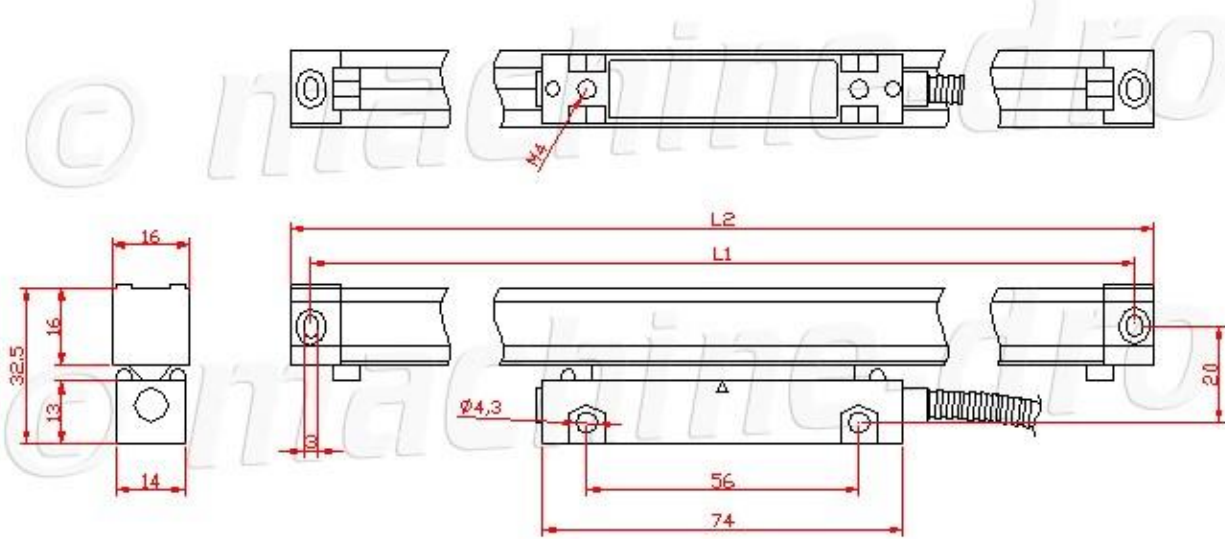


GS200 Dimensions & Reading Lengths

GS200 Glass Scale Dimensions

Image Not To Scale



Images & Content Copyright © Allendale Electronics Limited (machine-dro).
E&OE - Specification subject to change without prior notice.

When working out the required length of scale, simply measure the table/bed travel in mm, and using the L0 (reading length) dimension below select a scale which has a longer reading length than table travel. If the table/bed travel is greater than the reading length, damage may occur to the scale. To prevent this a fixed mechanical stop should be fitted.

L0 - Reading length. **L1** - Distance between mounting hole. **L2** - Overall length

Model Number	L0		L1		L2 inch	
	mm	inch	mm	inch	mm	
GS200-70	70	2 3/4	165	6 1/2	173	6 13/16
GS200-120	120	4 3/4	215	8 15/32	223	8 6/8
GS200-170	170	6 3/4	265	10 7/16	273	10 3/4
GS200-220	220	8 5/8	315	12 7/16	323	12 11/16
GS200-280	280	11	375	14 1/2	383	15 1/8
GS200-320	320	12 9/16	415	16 3/8	423	16 11/16

Glass Linear Scales – Specification

Resolution	<i>5μm</i>
Accuracy	<i>\pm 10μm (at 20 °C / 68 °F)</i>
Max Reading Speed	<i>60m/min</i>
Working Temperature	<i>0~45°C</i>
Cross Section Size (mm)	<i>16x16</i>
Output	<i>5v TTL 90 degree phase difference</i>
Pitch (lines per mm)	<i>0.02mm (50 lines/mm)</i>
Repeatability	<i>\pm1 counting impulse</i>
Cable length	<i>2 meter armored</i>
Protection	<i>IP53 when installed as per instructions</i>

E&OE - Specifications subject to change without prior notice. Images & Content © Allendale Electronics Limited.