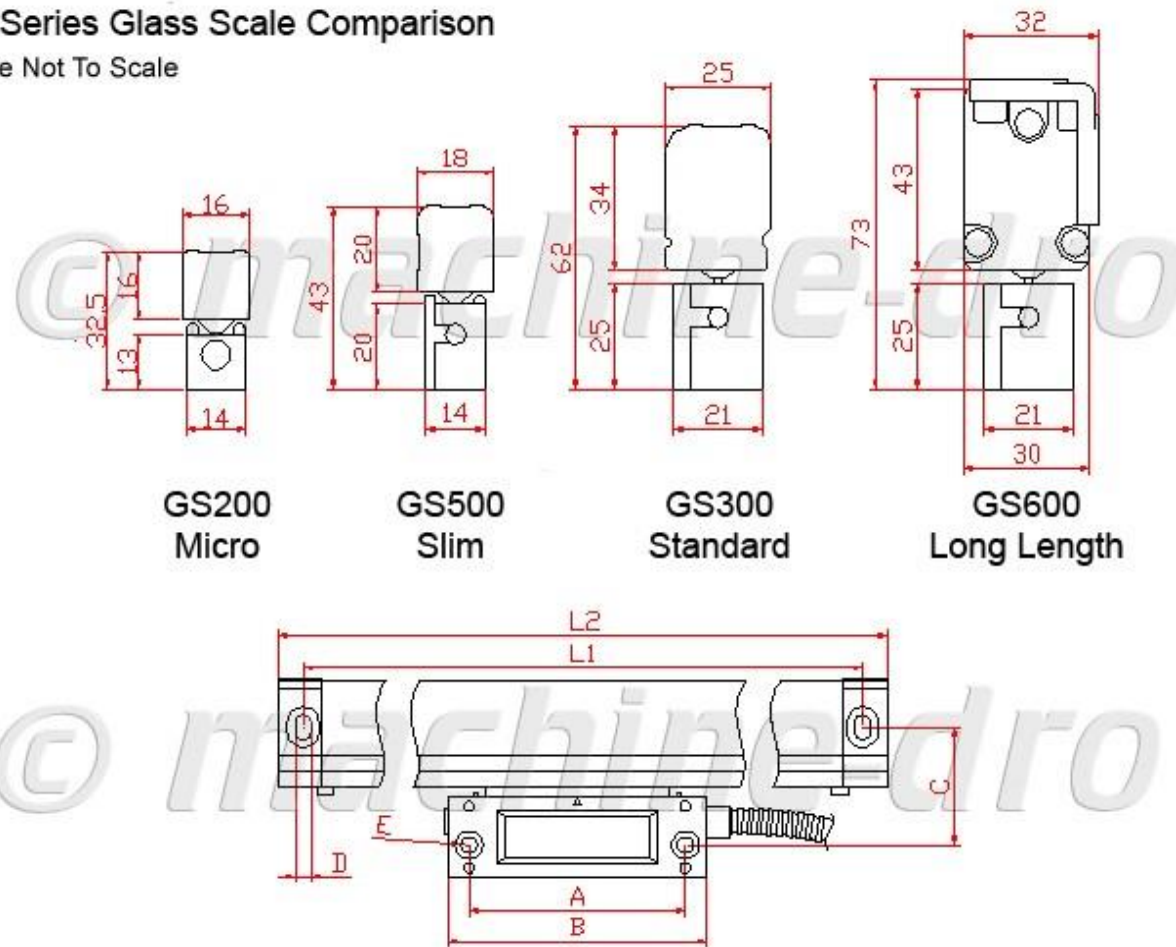


### GS Series Glass Scale Comparison

Image Not To Scale



GS200  
Micro

GS500  
Slim

GS300  
Standard

GS600  
Long Length

Images & Content Copyright © Allendale Electronics Limited (machine-dro).

E&OE - Specification subject to change without prior notice.

	GS200	GS500	GS300	GS600
<b>L2 - Overall length</b>	+103mm	+112mm	+106mm	+170mm
<b>L1 - Mounting dimension</b>	+95mm	+102mm	+90mm	+150mm
<b>A</b>	56	56	68	68
<b>B</b>	74	70	82	82
<b>C</b>	20	25	37	42
<b>D</b>	3	4	6	6
<b>E</b>	4.3 dia	M4	M5	M5
<b>Reading lengths</b>	30 to 320mm	70 to 570mm	70 to 1020mm	1 to 3 metres
<b>Resolution</b>	5µm*	5µm*	5µm*	5µm
<b>Accuracy</b>	+/-10µm	+/-10µm	+/-10µm	+/-20µm
<b>Output</b>	5v TTL 90 degree phase difference			
<b>Cable length</b>	2M armored	3M armored	3M armored	3M armored